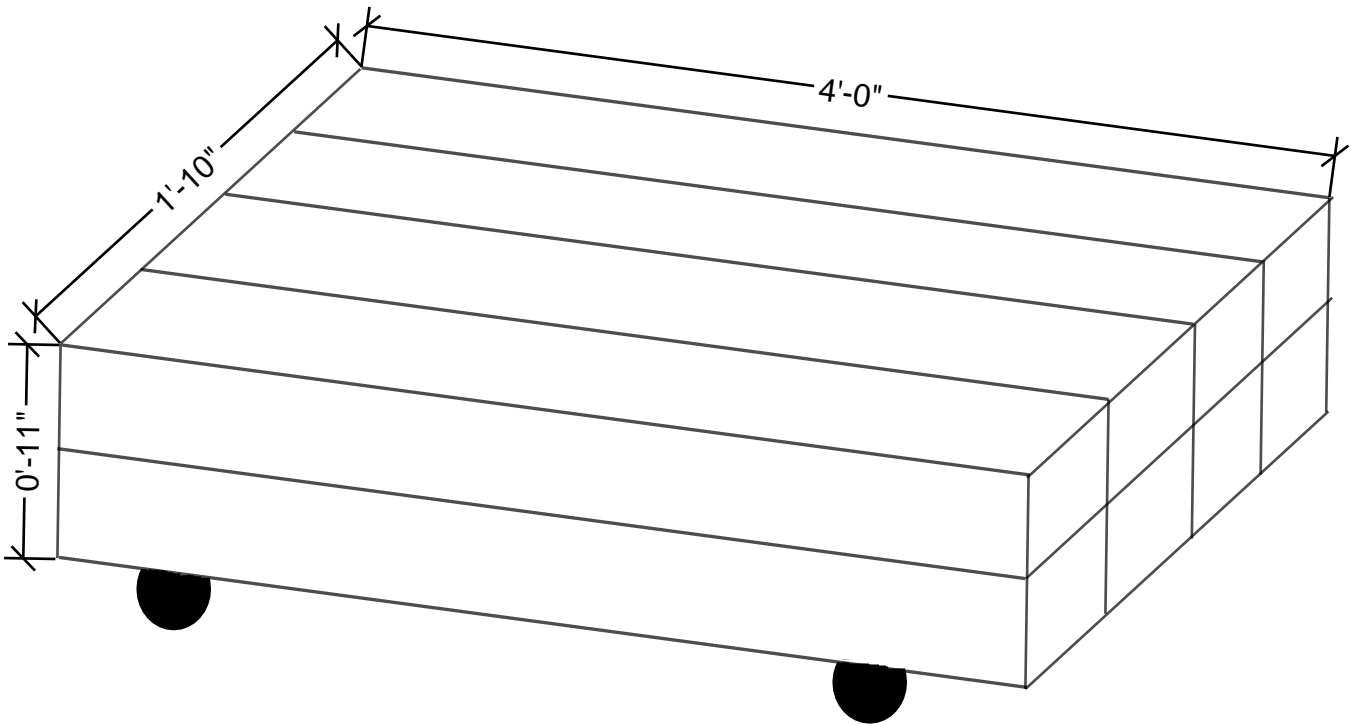


# Rustic Farmhouse Coffee Table



## Materials List

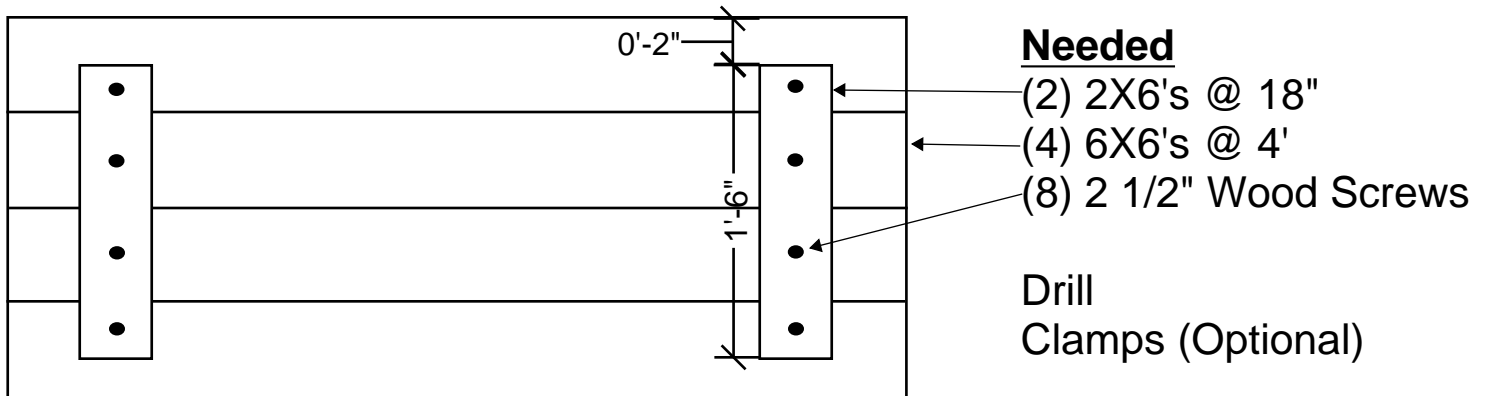
- (8) 6X6 Posts @ 4' Long
- (2) 2X6's @ 18" Long
- (4) Caster Wheels
- (6) 8"X1/2" Lag Screws
- (12) 1 1/2" Wood Screws
- (8) 2 1/2" Wood Screws
- (1) Can Stain
- (1) Can Polycrylic/Polyurethane

## Tools List

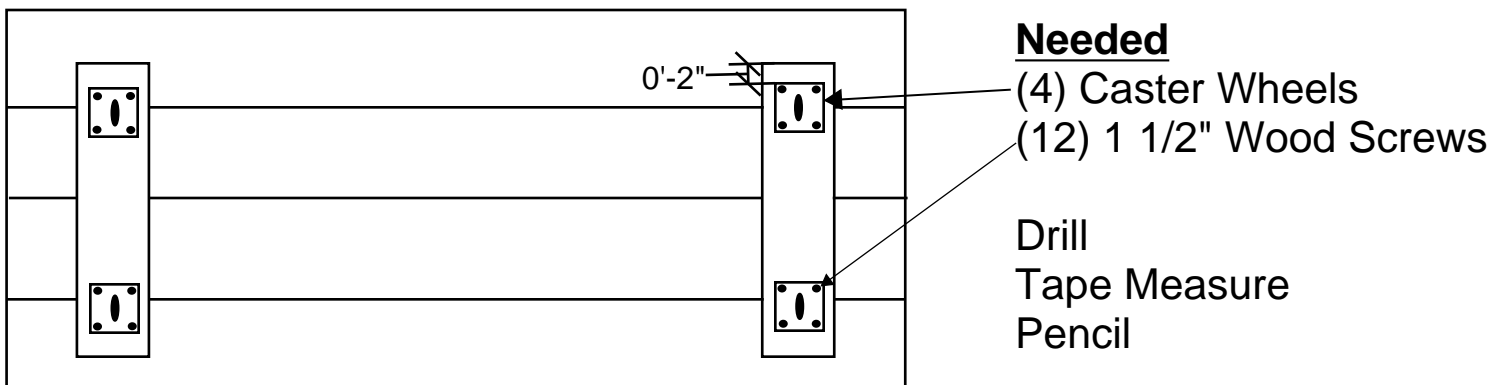
- Drill and Drill Bits
- Ratchet Set
- Foam Brushes
- Rags
- Drop cloth
- Clamps (Optional)
- Tape Measure
- Pencil

## Directions

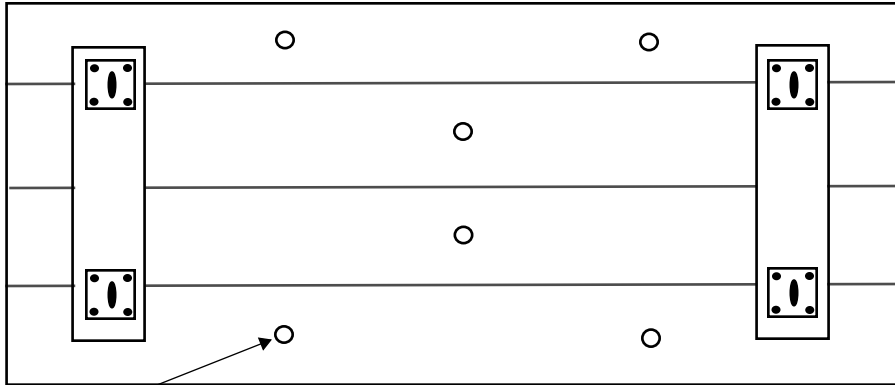
- 1) Attach 2X6's to bottom of table to lock together the base layer of table.
    - A) On a level surface align (4) of the 6X6 posts side by side so that the ends are flush.
    - B) (Optional) Clamp 6X6's together so they do not move when attaching 2X6's.
    - C) Using (8) 2 1/2" wood screws attach the 2x6's at either end of the table.
- \* **Note** - The 2X6's will be the base to attach your caster wheels, so inset the 2X6's at the desired caster wheel location. Minimum 2" from edge and end of table.



- 2) Attach caster wheels to the 2X6's from step 1.
  - A) Using a tape measure, lay out the desired location of the caster wheels, roughly 1-2 inches from the end of your 2X6.
  - B) Using the (12) 1 1/2" wood screws (4 per wheel), attach the (4) caster wheels to the 2X6 base.



- 3) Core holes up through the bottom of the base layer of the 6X6 posts.
- A) Using a pencil, mark two locations about 1/3 of the length from each end of your outer most 6X6 posts. On the two interior posts mark one location in the middle. See diagram below.
- B) Using a 1/2" drill bit, core all the way through the 6X6 posts at the designated locations. A bit extension may be needed to core the entire width of the post.



**Needed**

- Drill
- 1/2" Drill Bit
- Tape Measure
- Pencil

\* **Note** - Cores are needed so that 1/2" lag screws do not cause the posts to split as they pass through 6X6 member.

- 4) Core 2" deep into the bottom of your top table members.
- A) Using a pencil, mark two locations about 1/3 of the length from each end of your outer most 6X6 posts. On the two interior posts mark one location in the middle. See diagram below.
- B) Using a 1/2" drill bit, core 2" into the 6X6 posts at the designated locations. Core locations need to line up with cored holes from base of table.

\* **Note** - These (4) 6X6's will be the top of your table. Make sure to core the side that will be facing down, leaving your favorite side of the 6X6 intact. **\*DO NOT CORE ALL THE WAY THROUGH\***.

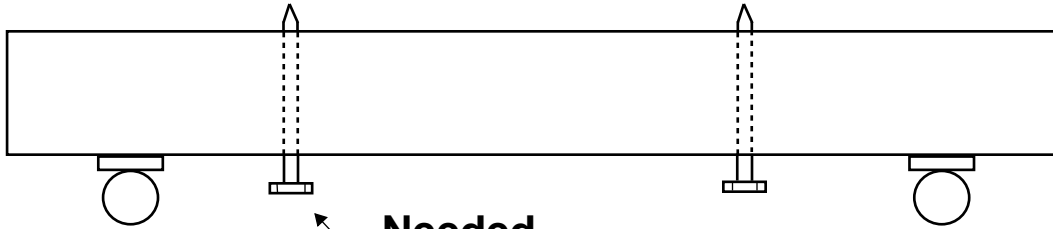


**Needed**

- (4) 6X6's @ 4'
- Drill
- 1/2" Drill Bit
- Tape Measure
- Pencil

5) Screw the 8" lag screws into the base of the table.

A) Using a ratchet set or drill with ratchet adapter, screw the 8" lag screws up from the bottom of the table all the way through the base 6X6's so that 1" of the screw is through the top of the base row 6X6's. Inner two 6X6's will only have one screw each at the center.



**Needed**

(6) 8"X1/2" Lag Screws

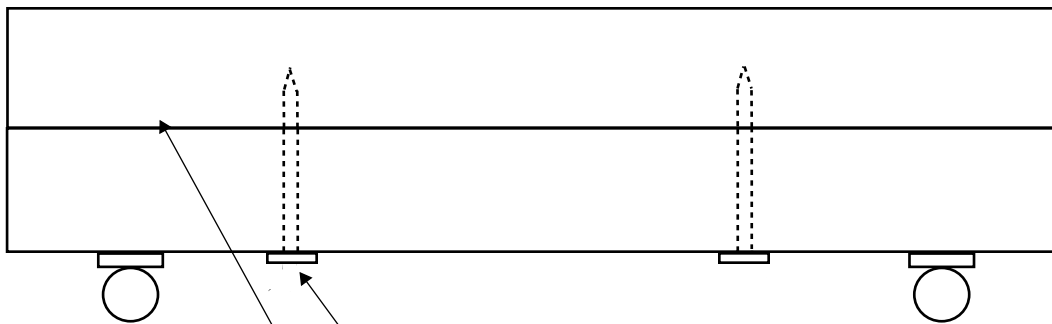
Drill

Ratchet Set

6) Secure table top members to the base of the table.

A) Line up the top row of 6X6 members and lower the pre-drilled holes onto the exposed lag screws sticking through the tables base.

B) Tighten the (6) lag screws into the the table top until it is tight. Then add one more half turn.



**Needed**

(6) 8"X1/2" Lag Screws

Drill

Ratchet Set

(4) 6X6 Posts

**7) (Recommended)** Stain the exposed top, sides, and ends of the table.

A) Pick a stain color of your preference and apply 1 coat to all the exposed sides of the table. Allow stain to dry for 24 hrs. If the shade is too light, apply another coat of stain.

**Needed**

Foam brush or rag

Drop Cloth

Stain

**8) (Recommended)** Apply sealer coat.

A) Apply one coat of polycrylic or polyurethane. Allow 24 hrs for coat to dry. Apply a second coat for better protection of your tables surface. Allow 72hrs for full cure before placing objects on your table.

\* **Note** - Polycrylic is water based and will do very little to the color of your table after you have stained it. Polyurethane is oil based and will add a yellow\* tint to your finish. On darker stains it may just appear even darker\*. Poly will come in a satin (no gloss), semi gloss, and gloss finish depending on your preference.

**Needed**

Foam brush

Drop Cloth

Polycrylic / Polyurethane